

# Ethernet Link SMI-2404

## 24 Port 10/100Mbps + 4G TP/SFP Combo SNMP/Managed Ethernet Switch

### Overview

**SMI-2404** is a high performance web-managed SNMP Layer 2 switch that provides users with switched 24 10/100Mbps Ethernet and 4 combo Gigabit ports.

It is very suitable for company to build network not only at beginning phase but also expanding in the future. Web/SNMP management and remote control capability plus variety of functional modules make user feel easy and wonderful with these series product.

The 4 pair ports with RJ-45 and mini-GBIC give user great flexibility in choosing either copper or fiber media for application at different environments and at different distance but with lower cost, (single mode or multi mode fiber), because user doesn't have to prepare two medias at beginning and he can change medias from copper to fiber or from multi-mode fiber to single-mode fiber whenever he wants. This pair design provide auto-detection function when both fiber and copper media are equipped, and at this condition, fiber will get higher service priority.



### Features

- Non-blocking, full-line speed, store-and-forward Max. packet length 1522 byte
- Auto-Negotiation and Auto-MDIX on all 10/100/1000M copper ports
- 24 10/100 RJ-45 ports, and 4 pair ports of RJ-45 and mini-GBIC with auto-detection
- Supports TP interface Auto MDIX function for auto TX/RX swap
- Support 4M bit packet buffer
- Support 8K MAC address
- Support 1522 bytes packet
- Support flow control for both half or full – duplex operation
- Support broadcast storm filtering
- Support 49 groups port-based VLAN and 512 groups 802.1Q tag-based VLAN
- Support rate control (64Kbps ~ 80Mbps)
- Support port mirroring

### Toplink C&C Corporation

3F, No. 4, Lane 609, Sec. 5, Chung Hsin Rd.,  
San Chung City, Taipei Hsien 241, Taiwan, R.O.C.  
Email: sales@linkpro.com.tw Tel: 886-2-22789851 (REP.)  
<http://www.linkpro.com.tw>

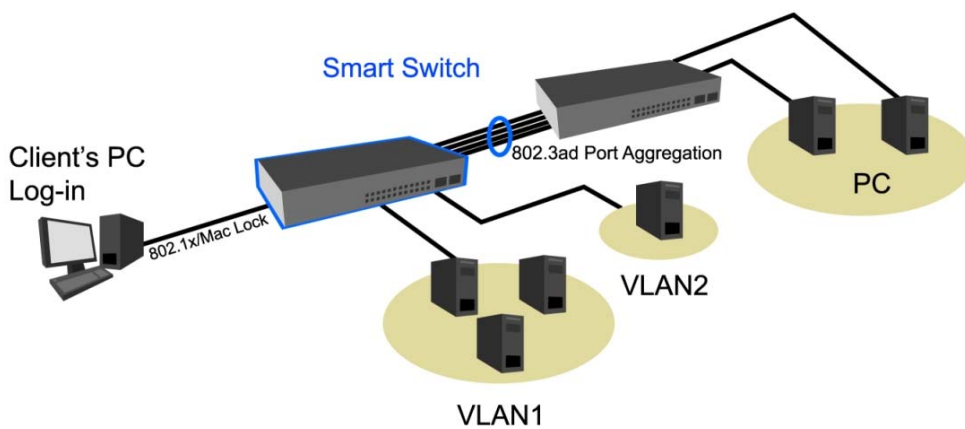
- Support 802.1D Spanning Tree Protocol and 802.1w RSTP
- Supports MAC address filter and binding(up to 400 rules)
- Supports 4 priority queues and strict Priority/Weighted Round Robin
- Supports 802.1x Authentication and Authorization
- Supports IGMP snooping
- Supports port trunking (up to 12 groups and 8 ports in each group)
- Supports SNMP V1/V2 ,RMON MIB(group 1,2,3,9)
- Supports access switch through Web/Telnet/Console
- Supports firmware upgrade through Web/Console
- Build-in power

## Specifications

<b>Standards</b>	<ul style="list-style-type: none"> <li>● IEEE 802.3 10BaseT Ethernet</li> <li>● IEEE 802.3u 100BaseTX Fast Ethernet</li> <li>● IEEE 802.3z 1000Base SX/LX Gigabit Ethernet</li> <li>● IEEE 802.3x flow control</li> <li>● IEEE 802.1d spanning Tree</li> <li>● IEEE 802.1w Rapid spanning Tree</li> <li>● IEEE 802.1q Tag-based VLAN, Priority Control</li> <li>● IEEE 802.1x Authentication and Authorization</li> </ul>
<b>Connector</b>	<ul style="list-style-type: none"> <li>● 24* 10/100 BaseTX RJ-45 STP Ethernet ports</li> <li>● 4 * 10/100/1000BaseTX RJ-45 or mini-GBIC Combo ports</li> </ul>
<b>Buffer Memory</b>	<ul style="list-style-type: none"> <li>● 8K entries for MAC</li> </ul>
<b>Environment</b>	<ul style="list-style-type: none"> <li>● Operation temperature: 0 to 50 centigrade</li> <li>● Operation humidity: 5% - 90%, non-condensing</li> <li>● Storage temperature: -20 to 70 centigrade</li> </ul>

<b>LED Panel Display</b>	<ul style="list-style-type: none"> <li>● Power, Link/Activity</li> </ul>
<b>Power</b>	<ul style="list-style-type: none"> <li>● Input: 100-240VAC, 50/60Hz,</li> <li>● Power Consumption: 30 Watts max</li> </ul>
<b>Dimensions</b>	<ul style="list-style-type: none"> <li>● 440mm (W) X 250mm (D) X 44mm (H)</li> </ul>
<b>Weight</b>	<ul style="list-style-type: none"> <li>● 5 kg</li> </ul>
<b>Regulatory Compliance</b>	<ul style="list-style-type: none"> <li>● FCC, CE</li> </ul>

**Application**



**Ordering Information**

**SMI-2404 (ver. M1): 24 Port I0/100Mbps + 4G TP/SFP Combo SNMP/Managed Ethernet Switch**

*\* Product specification subject to change without notice.*