

Ethernet Link SGI-2424

24 Combo Ports(10/100/1000Mbps Copper and Dual-Speed SFP) + 2G TP/SFP Combo SNMP/Managed Ethernet Switch

Overview

The Linkpro new managed SGI-2424 Switch is a Layer 2 switch that provides 24 combo ports (10/100/1000 copper and dual-speed SFP) in front panel and 2 Combo ports (1000 copper and 1000Base-X SFP) in rear panel with “Application QoS” and “Q-in-Q VLAN tunneling” features. It creates a new standard in FTTX to solve network transmit bottle neck and provide VoIP, IPTV and high speed Internet to triple play users. The SGI-2424 is designed to meet the emerging FTTX & Metro Ethernet requirement. Its low profile appearance with 1U height and standard rack-mount size achieve the highest density within a single rack. When massive of fiber ports need to deploy, SGI-2424 provides the best performance and price ratio.



Features

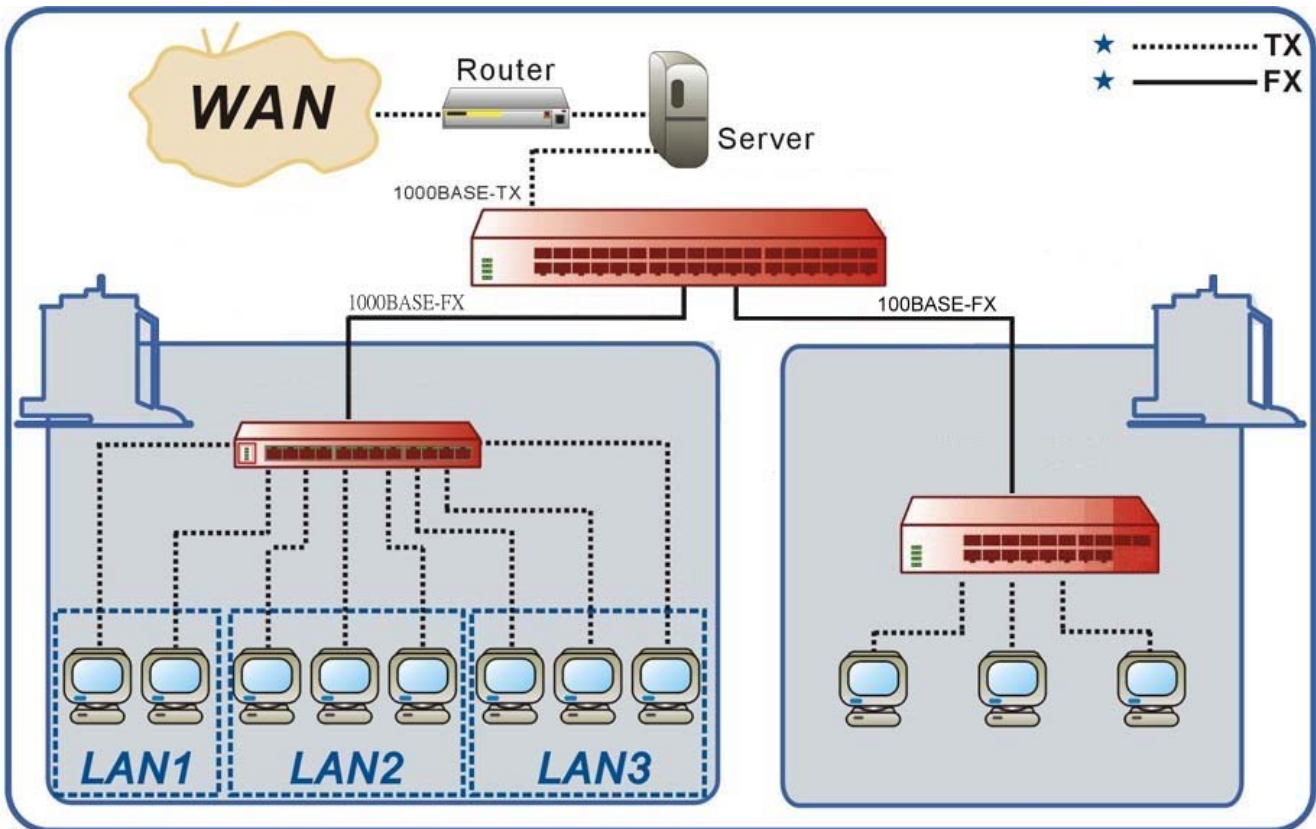
- Comply with IEEE 802.3 10BASE-T, 802.3u 100Base-TX, 802.3ab 1000Base-T, & 802.3z 1000Base-X standards
- 24 Combo ports (10/100/1000 copper and Dual-speed SFP) in front panel
- 2 Combo ports (1000 copper and Giga SFP) in rear panel
- Store and Forward Switching Mechanism
- Auto-Cross over for MDI/MDIX in TP port
- Auto-Negotiation in TP port
- Support SNMP, Web, Telnet and Console management
- Support IEEE 802.1ag CFM
- Comply with IEEE 802.1p Priority
- Comply with IEEE 802.1q Tag VLAN
- Comply with IEEE 802.1w Rapid Reconfiguration of Spanning Tree

- Comply with IEEE 802.1x Port Based Network Access Control
- Support IEEE 802.3ad Link Aggregation Control Protocol(LACP)
- Support jumbo frame on all ports up to 9600 bytes size
- Support QoS Classification based on IEEE 802.1p, VID, TOS/DSCP, EtherType and L4 Port
- Support DHCP Snooping
- Support Provider bridging with multiple VLAN tags (Q-in-Q)
- Support Rate Limit Control
- Support SNTP Time Server
- Support Static Multicasting
- Support IGMP Snooping v1, v2
- Support IGMP fast leave
- Support IGMP filtering via Filtering Profile
- Support Multicast channel limitation per port
- Support Multicast VLAN Register (MVR)
- Support DHCP client and provision server
- Support RFC3046 DHCP relay agent with option.82
- Support FTP, TFTP server and client firmware upgrade
- Support Access Control List(ACL) in web interface
- Support Radius Authentication
- Support SNMP v1, v2c and network management
- Support private, RFC-1213, RMON MIBs
- Support Port Mirror
- Support Power Down Trap Management
- Standard 19 inch form factor for convenience of rack mount

Specifications

Standard	<ul style="list-style-type: none"> ● IEEE 802.3 10Base-T ● IEEE 802.3u 100Base-TX/FX ● IEEE 802.3ab 1000Base-T ● IEEE 802.3z 1000Base-X ● IEEE 802.3ad Link Aggregation ● IEEE 802.1ag CFM ● IEEE 802.1w Rapid Spanning Tree ● IEEE 802.1p Priority ● IEEE 802.1q Tag VLAN ● IEEE 802.1X Port Based Network Access Control
Interface	<ul style="list-style-type: none"> ● Combo ports x 24 (Front panel) ● Combo ports x 2 (Rear panel) ● DB-9 (DTE) console port x 1
LED	<ul style="list-style-type: none"> ● Power 1/2, Fiber 1/2, Copper 1/2 , Console, Status, Link/Act, Speed
Product Specification	<ul style="list-style-type: none"> ● Mac address table: 8192 ● Memory buffer: Total 1391K bytes ● VLANs: Support up to 128 VLAN Groups ● Priority Queues: 4 Queues
Forward / Filter Rate	<ul style="list-style-type: none"> ● 10M: 14,880/14,880pps ● 100M: 148,800/148,800pps ● 1000M: 1,488,000/1,488,000pps
Power	<ul style="list-style-type: none"> ● Input AC 100V-240V 50/60Hz 0.68A (Maximum) ● Input DC 48VDC / 1.45A ● Power Consumption: 60W
Typical Operation & Storage Temperature	<ul style="list-style-type: none"> ● Operation Temperature: 0° ~ 50°C ● Storage Temperature: -20° ~ 60°C ● Humidity: 5% ~ 90% non-condensing
Dimension & Weight Size	<ul style="list-style-type: none"> ● 436 x 310 x 44 mm (WxDxH) ● Shipping Weight: 5KG
Regulatory Compliance	<ul style="list-style-type: none"> ● FCC Class A, CE

Application



Ordering Information

SGI-2424-1A (ver. V1): 24 Combo Ports(10/100/1000Mbps Copper and Dual-Speed SFP) + 2G TP/SFP Combo SNMP/Managed Ethernet Switch, w/one *AC power

SGI-2424-2A (ver. V1): 24 Combo Ports(10/100/1000Mbps Copper and Dual-Speed SFP) + 2G TP/SFP Combo SNMP/Managed Ethernet Switch, w/two *AC power

SGI-2424-1D (ver. V1): 24 Combo Ports(10/100/1000Mbps Copper and Dual-Speed SFP) + 2G TP/SFP Combo SNMP/Managed Ethernet Switch, w/one *DC 48V power

SGI-2424-2D (ver. V1): 24 Combo Ports(10/100/1000Mbps Copper and Dual-Speed SFP) + 2G TP/SFP Combo SNMP/Managed Ethernet Switch, w/two *DC 48V power

** Product specification subject to change without notice.*

Toplink C&C Corporation

3F, No. 4, Lane 609, Sec. 5, Chung Hsin Rd.,
San Chung City, Taipei Hsien 241, Taiwan, R.O.C.
Email:sales@linkpro.com.tw Tel:886-2-22789851(REP.)
<http://www.linkpro.com.tw>