

# Power Over Ethernet PSE-G300/PSE-M300

1 Port 802.3at Gigabit High Power over Ethernet Injector

1 Port 802.3at High Power over Ethernet Injector

## Overview

The **PSE-G300 /PSE-M300** is a single port, high-power solution for remote powering of current and emerging high power applications. Generating up to 30W, the **PSE-G300 /PSE-M300** enables remote power for a new range of applications including 802.11 Access Points, pan-tilt-zoom (PTZ) cameras and video-phones. It complies to IEEE 802.3at PoE standard and is backward compatible to IEEE802.3af. It can power both existing 10/100Base-T network devices and emerging wireless 1000Base-T devices (**PSE-G300**) such as Wi-MAX and wireless IEEE 802.11n access points.



## Features

- Up to 30W of Power on 2-pairs
- IEEE 802.3at Compliant with 2-event classification
- IEEE 802.3af backward compatible
- Compatible With All IEEE 802.3af or Legacy
- Safe: Low Power Devices Receive Only the Power They Need
- Safe and Reliable Power to WLAN Access Points
- Automatic Detection and Protection of Non-standard Ethernet Terminals
- Supports 10/100/1000Base-T applications (PSE-G300)
- Compact Design Fits Easily in WLAN Access Point Installations

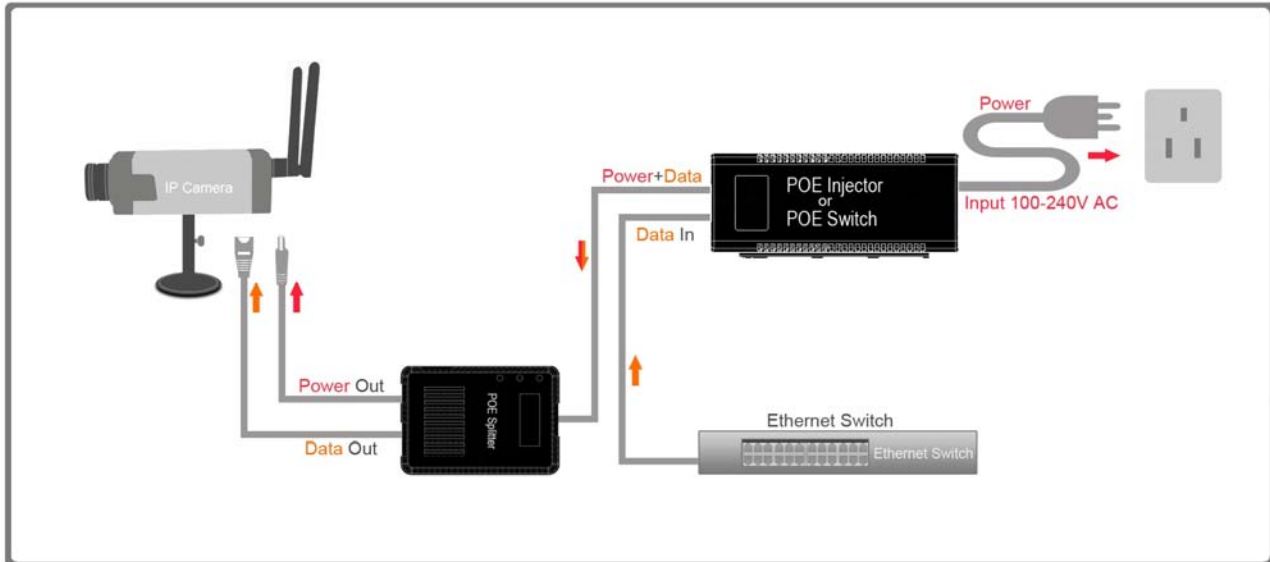
## Toplink C&C Corporation

3F, No. 4, Lane 609, Sec. 5, Chung Hsin Rd.,  
San Chung City, Taipei Hsien 241, Taiwan, R. O. C.  
Email: sales@linkpro.com.tw Tel: 886-2-22789851 (REP.)  
<http://www.linkpro.com.tw>

**Specifications**

<b>Pass Through Data Rates</b>	<ul style="list-style-type: none"> <li>● 10/100/1000 Mbps (PSE-G300)</li> <li>● 10/100 Mbps (PSE-M300)</li> </ul>
<b>Pin Assignment and Polarity</b>	<ul style="list-style-type: none"> <li>● 1/2 (+), 3/6 (-)</li> </ul>
<b>Output Power Voltage</b>	<ul style="list-style-type: none"> <li>● 52Vdc</li> </ul>
<b>User Port Power</b>	<ul style="list-style-type: none"> <li>● Upto 30Watts</li> </ul>
<b>Input Power AC Input Voltage</b>	<ul style="list-style-type: none"> <li>● 100 to 240 Vac</li> </ul>
<b>Requirements AC Input Current</b>	<ul style="list-style-type: none"> <li>● 0.8A @ 100-240 Vac</li> </ul>
<b>AC Frequency</b>	<ul style="list-style-type: none"> <li>● 50 to 60 Hz</li> </ul>
<b>Dimensions</b>	<ul style="list-style-type: none"> <li>● 87.9 mm x 51.3 mm x 166 mm</li> </ul>
<b>Weight</b>	<ul style="list-style-type: none"> <li>● 350g</li> </ul>
<b>LED Indicators</b>	<ul style="list-style-type: none"> <li>● Power</li> <li>● PoE</li> </ul>
<b>Connectors</b>	<ul style="list-style-type: none"> <li>● Shielded RJ-45, EIA 568A and 568B</li> </ul>
<b>Operating Ambient Temperature</b>	<ul style="list-style-type: none"> <li>● -10 to 45°C</li> </ul>
<b>Reliability MTBF</b>	<ul style="list-style-type: none"> <li>● 296,000 hrs. @25°C</li> </ul>
<b>Thermal Rating</b>	<ul style="list-style-type: none"> <li>● 27 BTU/Hr (@240VAC)</li> </ul>
<b>Safety Approvals</b>	<ul style="list-style-type: none"> <li>● CE</li> </ul>

## Application



## Ordering Information

**PSE-G300 : 1 Port Gigabit 802.3at High-Power PoE Injector, upto 30W**

**PSE-M300 : 1 Port Megabit 802.3at High-Power PoE Injector, upto 30W**

*\* Product specification subject to change without notice.*

## Toplink C&C Corporation

3F, No. 4, Lane 609, Sec. 5, Chung Hsin Rd.,  
San Chung City, Taipei Hsien 241, Taiwan, R. O. C.  
Email: sales@linkpro.com.tw Tel: 886-2-22789851 (REP.)  
<http://www.linkpro.com.tw>