

OH-16WG Technical Data Sheet

Ordering Information:

OH-16WG-S Outdoor housing for IWC-808S, 818R, 818H, 606R series IP Camera (smoked cover)

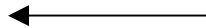
Remarks : IR function need to be turned off while using OH-16WG

General Feature

1. Made of aluminum alloy material.
2. Double-deck design.
3. Strengthen Acrylic cover
4. IP66 waterproof
5. Build-in Fan and Heater

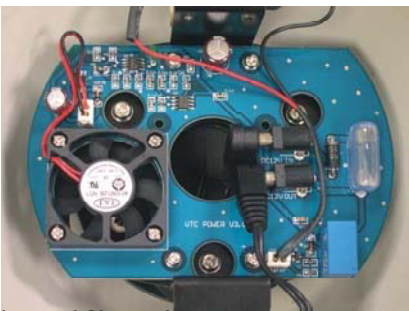
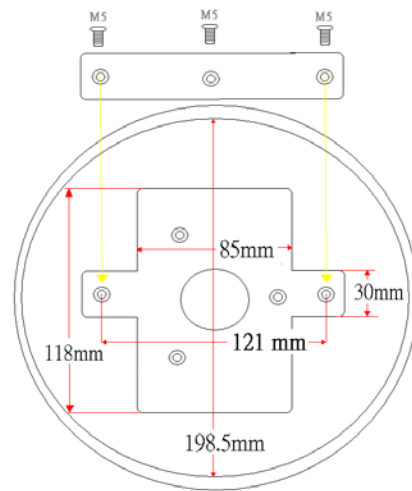
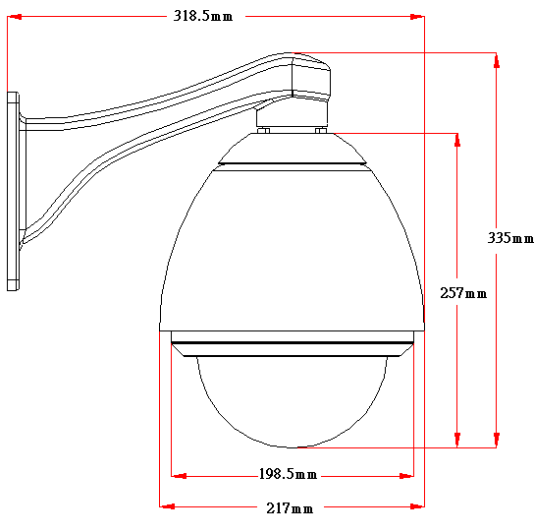


OH-16WG series



Model No.	OH-16WG Series
Net Weight	around 4,200g
Gross Weight	around 5,900g
Outer Packing Box	280x430x370 (mm)
Each Outer Box Incl.	Housing * 1 Cover * 1 Wall Mount tube * 1 Switching Power Pack * 1 Accessory Pack * 1

Dimension :



Specifications:

Power Supply	12 VDC / 2.5A or 12VDC / 3A or 12VDC / 3.3A
Housing Color	White
Diameter	ψ 200 mm
Cover Color	Transparent
Material	Aluminum Alloy
Operating Temperature	-20°C to 50°C
Heater Working	Activates at 0°C (+/- 5°C), Deactivates at 10°C (+/- 5°C)
Fan Working	Activates at 40°C (+/- 5°C), Deactivates at 30°C (+/- 5°C)
Humidity	0 to 95% RH